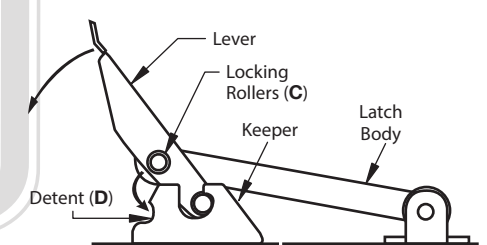
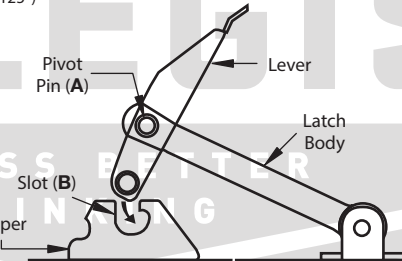
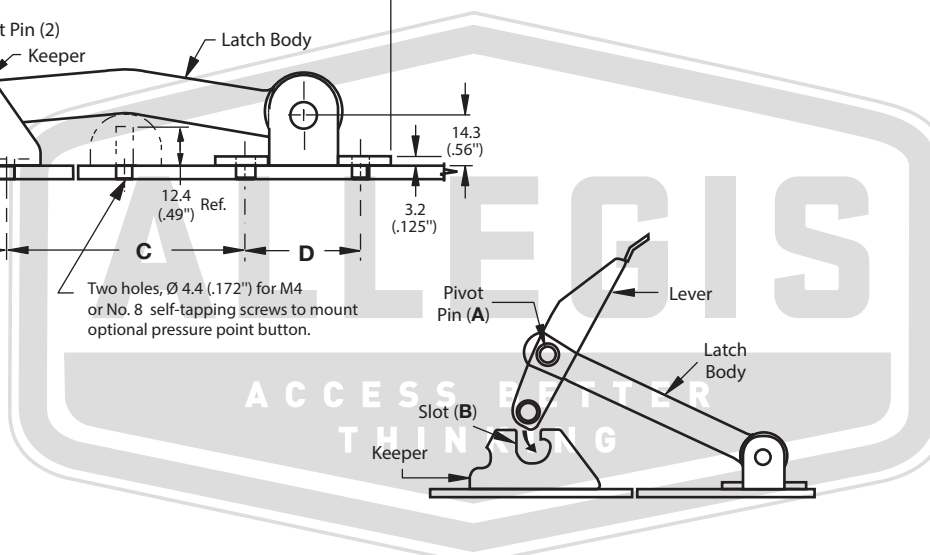
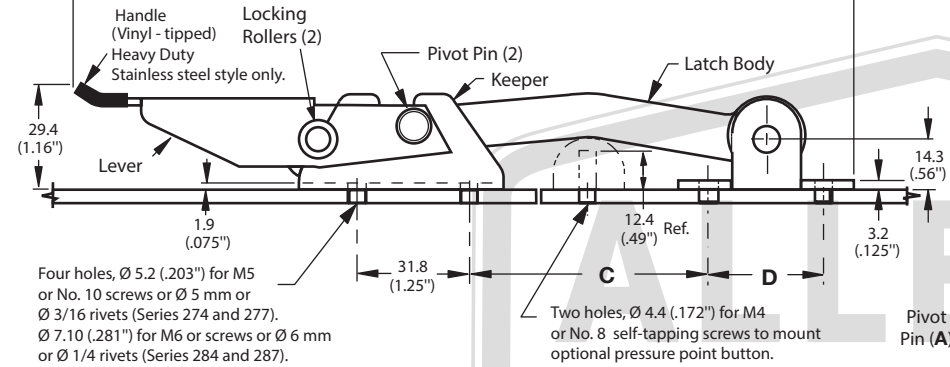
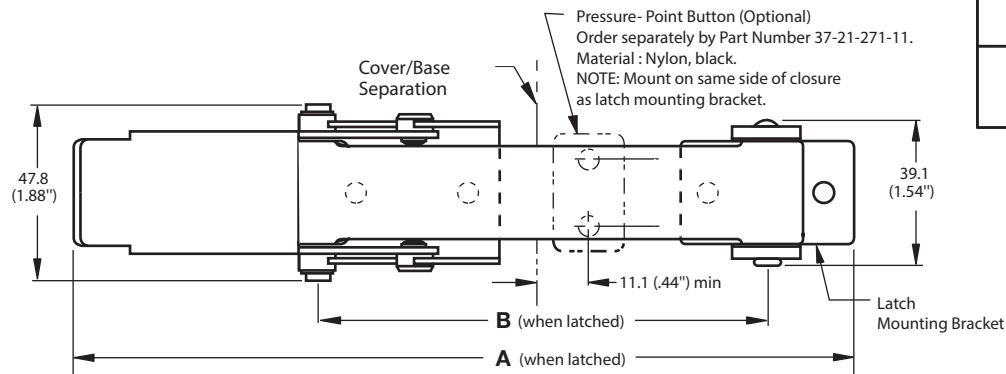


APPROVAL - CUSTOMER NAME & SIGNATURE

DATE



Dimensions				Part Number		Series
A	B	C	D	Bright zinc finish	Stainless Steel	
241.3 (9.50")	152.4 (6.00")	96.8 (3.81")	25.4 (1.00")	37-10-274-10	37-10-274-20	274
366.7 (14.44")	277.8 (10.94")	222.3 (8.75")		37-10-277-10	37-10-277-20	277

**ALLEGIS**

1-866-378-7550

MATERIAL:

Rubber, Steel

DRAWING NO.:

37-10-274-10

FINISH:

Zinc Plate, bright chromate

REV.:

1:1

DATE:

5/30/2019